

Power supply unit ATX 45W with single 12VDC power source

www.inpc.com.ua

DP033

Input connectors:

PWL-3 (3x3.96 mm, for header PHU-3) (in model **DP033-PWL**)

DJK-02A (for plug $\varnothing 5.5 \times 2.1 \times 11$) (in model **DP033-DJK**)

Input features:

Minimum input voltage: +12V

Maximum input voltage: +14V

Nominal input voltage: +12,6V

Maximum consumption current: 5A

Output connectors:

20-pin ATX (MF-20F) (power rails: +5Vsb, +5V, +3.3V, +12V, -12V, GND, PS-ON, PG)

4-pin for HDD ATA (TH-4F) (power rails: +5V, GND, +12V)

2-pin (BLS-2) from button to motherboard (for **DP031-DJK** only)

Output features:

Power rail	Nominal voltage, V	Nominal voltage tolerance range, %	Maximum current, A
+5Vsb	5	+5 / -3	5 ⁽¹⁾
+5V	5	+5 / -3	5 ⁽¹⁾
+3.3V	3.3	± 2	5.5
+12V	12 ⁽²⁾	± 3	2
-12V	-12 ⁽³⁾	—	0.04 ⁽⁴⁾

⁽¹⁾ Maximum combined current on +5Vsb and +5V outputs

⁽²⁾ Input voltage value should be not less then 12.6V

⁽³⁾ PSU does not have a regulated +12V output, but simply passes the 12V of the input supply voltage. Maximum output voltage with no-load not exceed input value. Minimum output voltage value with current load 0.1A and input voltage 12V is not less then 10V.

⁽⁴⁾ Output voltage value should be not less then -9.6 V

Power supply unit ATX 45W with single 12VDC power source

www.inpc.com.ua

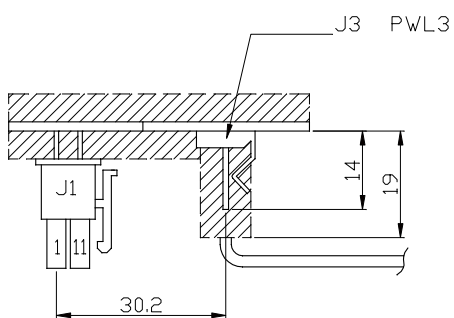
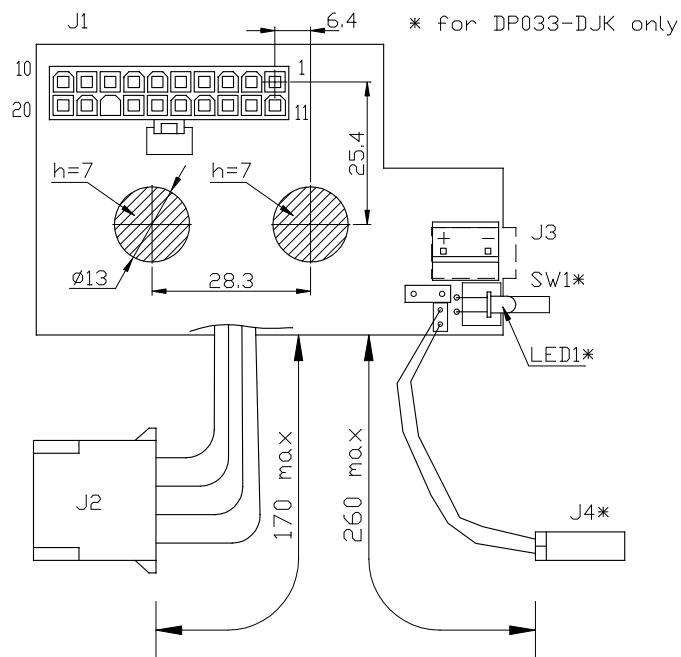
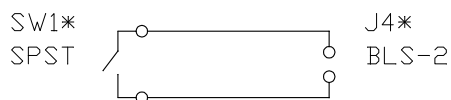
DP033

J1 ATX OUT MF-20F
(MOLEX 5557 39-01-2200)

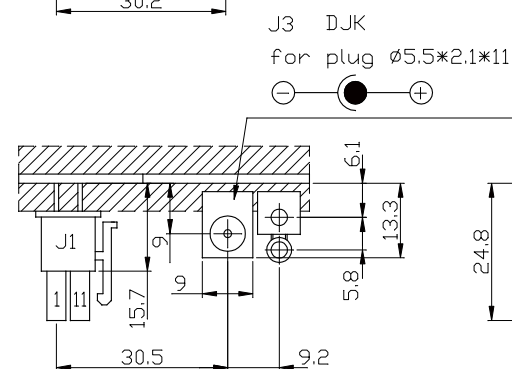
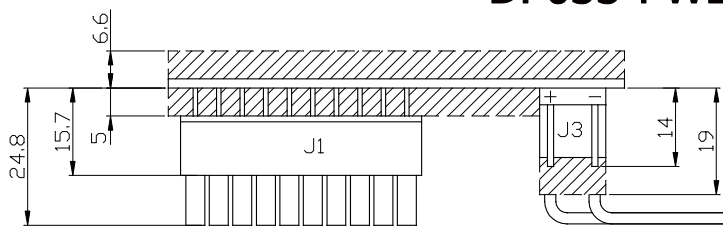
Pin	Description	Pin	Description
1	+3.3V	11	+3.3V
2	+3.3V	12	-12V
3	GND	13	GND
4	+5V	14	PS_ON
5	GND	15	GND
6	+5V	16	GND
7	GND	17	GND
8	PWR_GD	18	NC
9	+5V_SB	19	+5V
10	+12V	20	+5V

J2 HDD OUT TH-4F
(MOLEX 8981-04P)

Pin	Description	Wire Color
1	+12V	Yellow
2	GND	Black
3	GND	Black
4	+5V	Red



DP033-PWL



DP033-DJK

