

D4015-Y seires 40x40x15mm (1.57"x1.57"x0.59")

[View WebPage](#)
[View 3D Object](#)



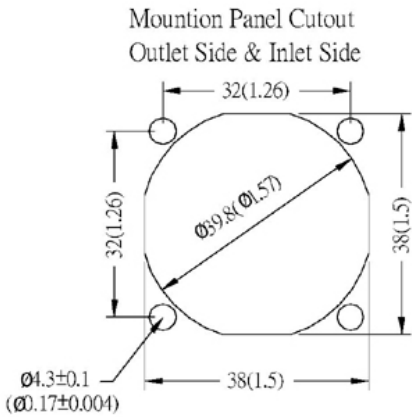
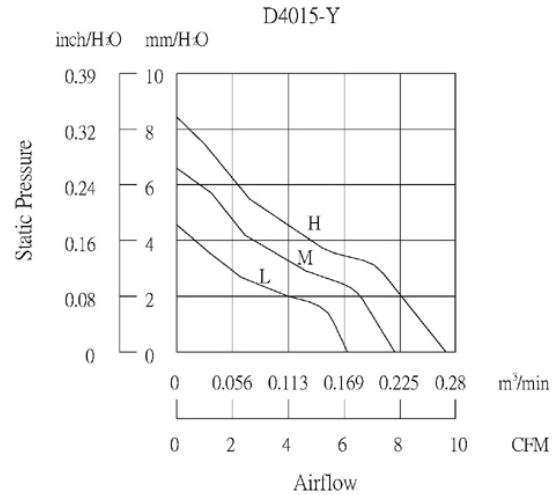
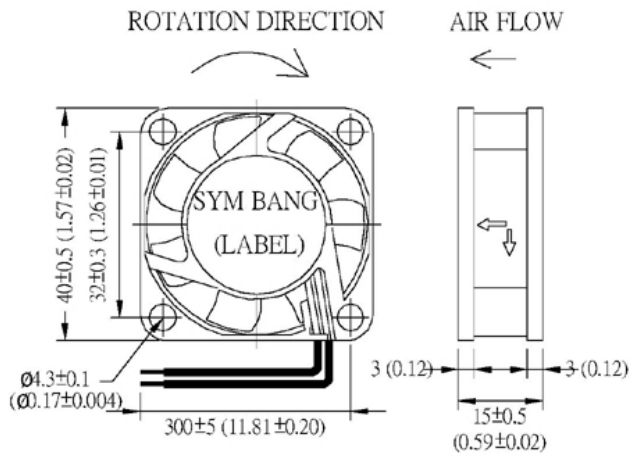
HOUSING	Thermoplastic PBT, UL94V-0
IMPELLER	Thermoplastic PBT, UL94V-0
BEARING	Ball
OPERATING TEMPERATURE	Sleeve Bearing:-10 °C to +70 °C Ball Bearing:-30 °C to +75 °C
INSULATION RESISTANCE	10 meg Ohms Min.@500 VDC (Between Frame and Terminal)
DIELECTRIC STRENGTH	5 mA Max. at 500 VAC 60Hz for 1 minute (Between Frame and Terminal)
WEIGHT	26g
ROHS COMPLIANCE	Yes

SPECIFICATION

MODEL NO.	RATED VOLTAGE (V)	RATED CURRENT (A)	INPUT POWER (W)	SPEED (RPM)	MAX. AIR PRESSURE		Maximum Air Flow		NOISE dB(A) @1M
					inchH ₂ O	mmH ₂ O	CFM	m ³ /min	
D4015V12H	12	0.12	1.44	8600	0.34	8.7	9.5	0.26	36.5
D4015V12M	12	0.1	1.20	7300	0.26	6.8	7.5	0.21	32.0
D4015V12L	12	0.08	0.96	6000	0.18	4.6	6.1	0.17	28.0

DIMENSION

AIR PERFORMANCE



UNIT:mm(inch)