

# ACTIVA INC. – S.B.B. FAN

## D12025V12-G SERIES

MODEL NUMBER	RATE D VOLTAGE (V)	RATED CURRENT (A)	INPUT POWER (W)	SPEED (RPM)	MAX. AIR PRESSURE		AIR FLOW		NOISE aB(A) @1M
					mmH <sub>2</sub> O	InchH <sub>2</sub> O	CFM	m <sup>3</sup> /min	
D12025V12H-G	12	0.52	6.24	2800	4.87	0.19	95.74	2.71	45.0
D12025V12M-G	12	0.31	3.72	2400	3.62	0.14	83.49	2.36	41.1
D12025V12L-G	12	0.24	2.88	2000	2.81	0.11	71.32	2.02	35.4

HOUSING: Plastic material, PBT, UL94V-0

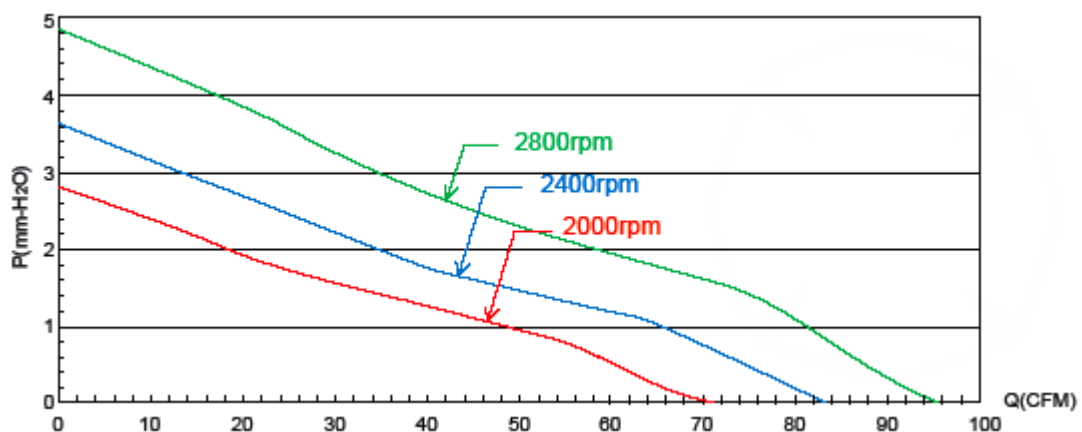
IMPELLER: Plastic material, PBT, UL94V-0

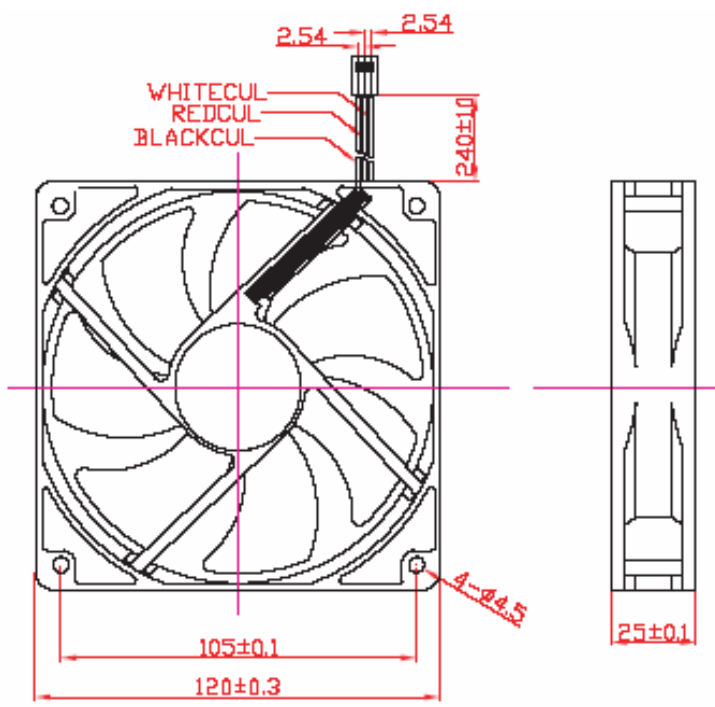
BEARING: SYMBANG

DIELECTRIC STRENGTH: 5 mA Max. at 500VAC/min 60Hz for 1 minute

INSULATION RESISTANCE: 500VDC/min (10M  $\Omega$  between unshielded wire and frame at 500VDC/min).

Operating temperature: -10°C to +70°C





# ACTIVA INC. – S.B.B. FAN

## D12025V12-G SERIES

MODEL NUMBER	RATE D VOLTAGE (V)	RATED CURRENT (A)	INPUT POWER (W)	SPEED (RPM)	MAX. AIR PRESSURE		AIR FLOW		NOISE aB(A) @1M
					mmH <sub>2</sub> O	InchH <sub>2</sub> O	CFM	m <sup>3</sup> /min	
D12025V12H-G	12	0.52	6.24	2800	4.87	0.19	95.74	2.71	45.0
D12025V12M-G	12	0.31	3.72	2400	3.62	0.14	83.49	2.36	41.1
D12025V12L-G	12	0.24	2.88	2000	2.81	0.11	71.32	2.02	35.4

HOUSING: Plastic material, PBT, UL94V-0

IMPELLER: Plastic material, PBT, UL94V-0

BEARING: SYMBANG

DIELECTRIC STRENGTH: 5 mA Max. at 500VAC/min 60Hz for 1 minute

INSULATION RESISTANCE: 500VDC/min (10M  $\Omega$  between unshielded wire and frame at 500VDC/min).

Operating temperature: -10°C to +70°C

