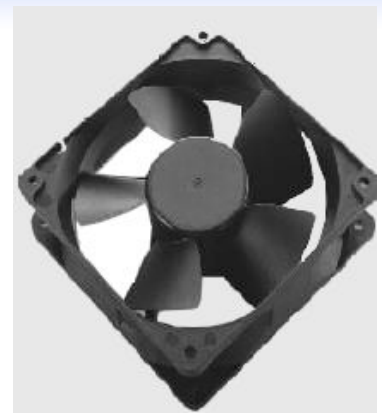


D12032 Series

120X120X32mm (4.72"X4.72"X1.26")

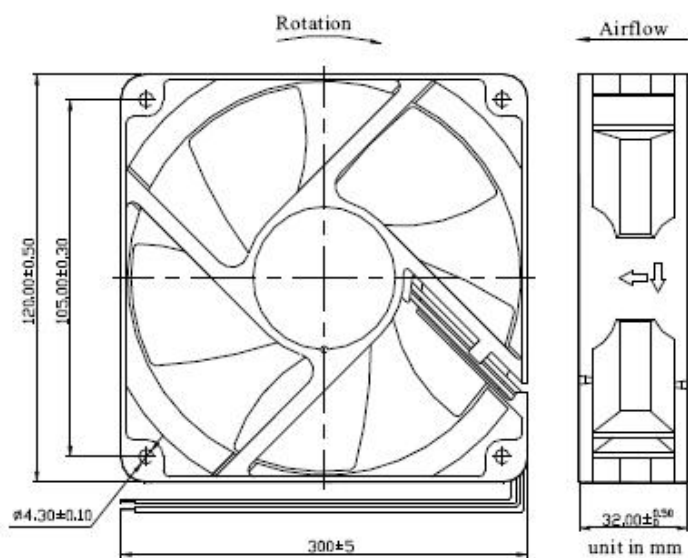
HOUSING	Thermoplastic PBT, UL94V-0
IMPELLER	Thermoplastic PBT, UL94V-0; 5 blades
BEARING	Sleeve or Ball
OPERATING TEMPERATURE	Sleeve Bearing:-10 °C to +70 °C Ball Bearing:-30 °C to +75 °C
INSULATION RESISTANCE	10 meg Ohms Min. @500 VDC (Between Frame and Terminal)
DIELECTRIC STRENGTH	5 mA Max. at 500 VAC 60Hz for 1 minute (Between Frame and Terminal)
WEIGHT	219g
ROHS COMPLIANCE	Yes



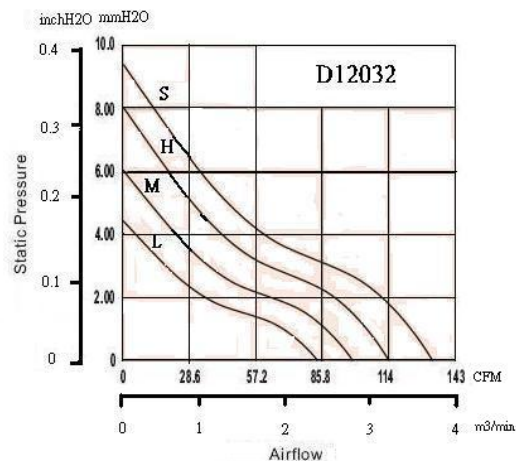
SPECIFICATION

MODEL NO.	RATED VOLTAGE (V)	RATED CURRENT (A)	INPUT POWER (W)	SPEED (RPM)	MAX. AIR PRESSURE		Maximum Air Flow		NOISE dB(A) @1M
					inchH ₂ O	mmH ₂ O	CFM	m ³ /min	
D12032V12S	12	8.4	10.08	3300	0.37	9.4	137.3	3.88	49.5
D12032V12H	12	5.8	6.96	2900	0.31	8.0	115.0	3.25	47.5
D12032V12M	12	4.5	5.40	2500	0.23	6.0	99.0	2.80	42.5
D12032V12L	12	3.3	3.96	2100	0.16	4.3	83.3	2.35	39.5
D12032V24S	24	4.0	9.60	3300	0.37	9.4	137.3	3.17	49.0
D12032V24H	24	2.9	6.96	2900	0.31	8.0	115.0	3.88	47.5
D12032V24M	24	2.0	4.80	2500	0.23	6.0	99.0	3.40	42.5
D12032V24L	24	1.5	3.60	2100	0.16	4.3	83.3	2.80	39.5
D12032V48H	48	1.9	9.12	2900	0.35	9.12	115.0	3.25	47.5
D12032V48M	48	1.3	6.24	2500	0.24	6.24	99.0	2.69	42.5
D12032V48L	48	0.9	4.32	2100	0.17	4.32	83.3	2.80	39.5

DIMENSION



AIR PERFORMANCE



ACTIVA INC.

9F-1, 472, Chung San 2nd Road, Kaohsiung 800, Taiwan, R.O.C.
 TEL:886-7-2824356 FAX:886-7-2414287
 Website:www.activa.com.tw Email:symbang@seed.net.tw