

ACTIVA INC.

PRODUCT SPECIFICATION

A. General Specification

Item		Specification	Condition
1	Model No.	D4028V12HB-J	
2	Outline Dimension	40x40x28 mm	
3	Rated Voltage	DC 12V	
4	Starting Voltage	DC 6.0V	
5	Rated Current	0.29A	At Rated Voltage, 25°C, 65% RH
6	Power Consumption	3.48W	At Rated Voltage, 25°C, 65% RH
7	Speed	10600 RPM \pm 10%	At Rated Voltage, 25°C, 65% RH Free Air
8	Max. Airflow	15.53 CFM	At Rated Voltage AMCA Standard
9	Max. Static Pressure	14.50 mmH ₂ O	At Rated Current
10	Noise Level	39.0 dBA	At Rated Voltage Measured in a non-echo Chamber CNS 8753 Standard ISO 3744 Test Condition
11	Life	50,000/hrs at 25°C	MTBF (Mean Time Between Failures) Conf. Level 90%
12	No. of Blade	5 Blades	
13	No. of Pole	4 Poles	
14	Rotating Direction	Clockwise View From Label Side	
15	Tolerance	\pm 10%	At Rated Voltage
16	Weight	46g	
17	Motor Type	DC Brushless Fan Motor	
18.	Operating Voltage	DC 8.0V ~ 13.8V	

B. Main Materials / Parts Specification

Materials / Parts		Specification
1	Plastic Material / Blade, Housing, Bobbin	UL 94V-0, P.B.T. + 30% GF Black
2	Bearing	Ball Bearing
3	Lead Wire	UL 1007, 28 AWG, (+) RED, (-) BLACK UL 1007, 28 AWG, (FG signal) YELLOW
4	Connector	

C. Safety Approvals :

Safety Approvals	File No.	Safety Approvals	File No.
CE			

ACTIVA INC.

D. Environmental Specification

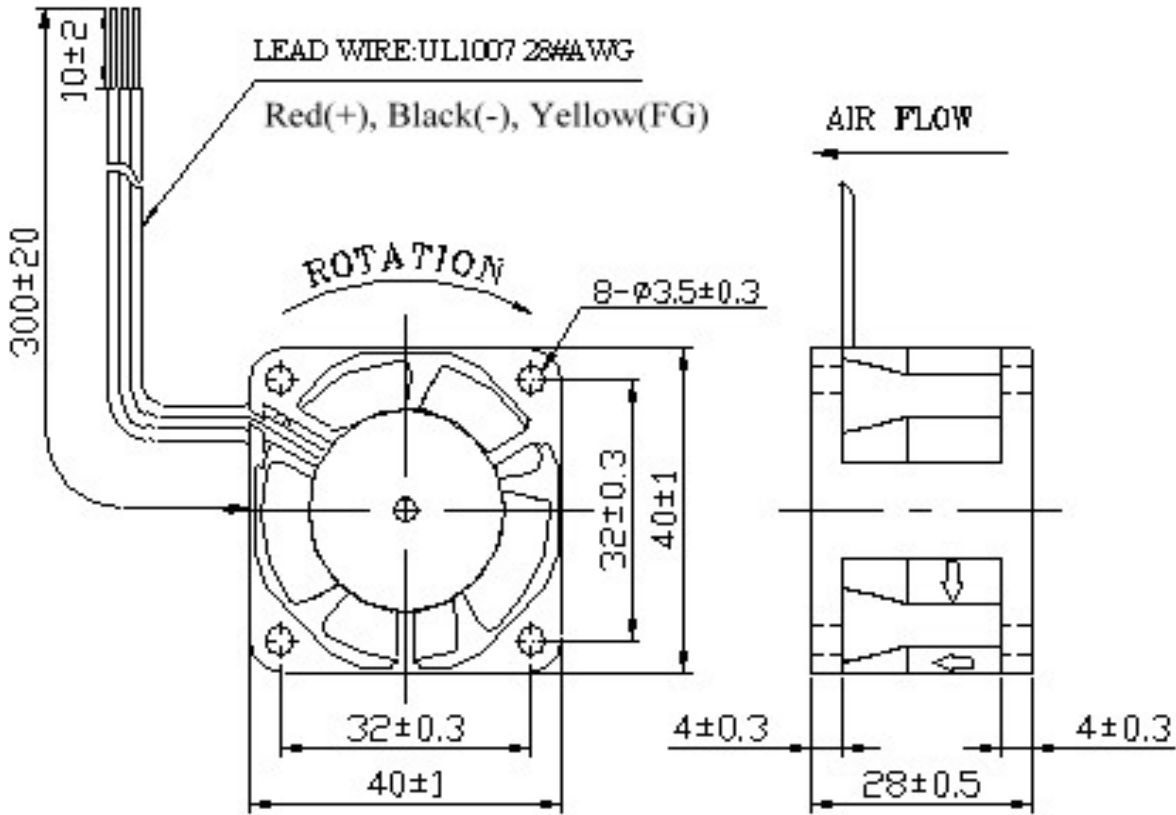
Item		Specification / Condition
1	Operating Temp. Range	Temperature : -10°C ~ + 70°C Humidity : 35% - 85% RH
2	Storage Temperature	Temperature : -10°C ~+ 70°C Humidity : 35% - 85% RH
3	Humidity	Per MIL-STD 202F Method 103B; Life: 96 hours; Humidity : 95% RH; Temperature: 40 ± 2°C
4	Thermal Shock	Per MIL-STD 202F Method 107D, Condition D
5	Insulation Shock	UL: Class B
6	Packing Vibration Test	Packing Condition: X, Y, Z 3directions, 1.1 G load vibration test for 30 min.
7	Packing Shock Proof Test	1 corner, 3 edges, 6 faces natural drop from 60 cm high packing

E. Electrical Specification

Item		Specification/Condition
1	Insulation Resistance	10MΩ between frame and unshielded wire at 500VDC/min
2	Dielectric Strength	5mA Max. / Measured b/w lead wire (+) and frame at 500VAC/min
3	Locker Rotor Protection	a. No damage will be made for a continuous 72-hour rotation lock at rated voltage. b. Signal Alarm-Optional
4	Polarity Protection	Circuit is protected when Vcc & GND are exchanged.

ACTIVA INC.

F. Outline Dimension UNIT: mm



G. Air Performance

