

# SYM BANG

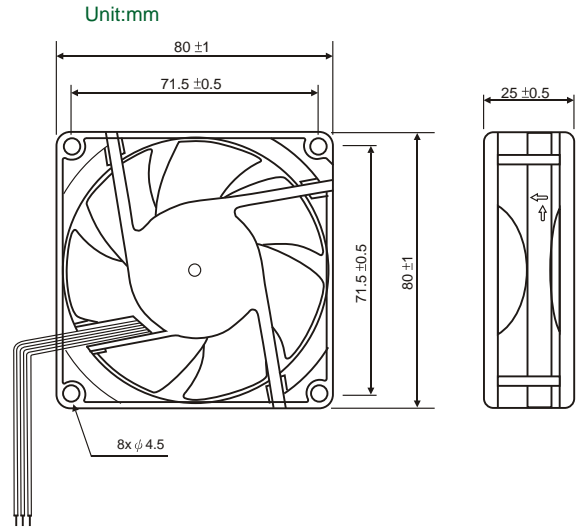
## D8025 Series

Size: 80x80x25mm (3.15"x3.15"x0.98")

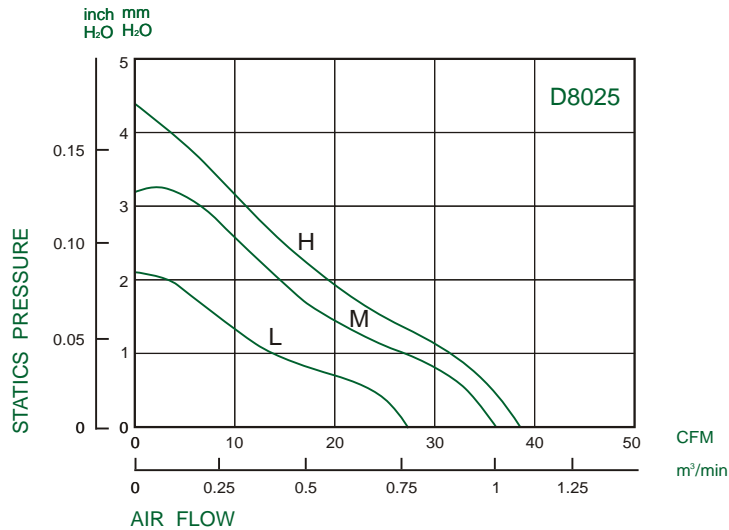


### DIMENSION

HOUSING : Thermoplastic PBT, UL94V-0  
IMPELLER : Thermoplastic PBT, UL94V-0  
BEARING : Sleeve or Ball  
OPERATING TEMPERATURE : Sleeve Bearing:- 10°C to + 70°C  
Ball Bearing:- 30°C to + 75°C  
INSULATION RESISTANCE : 10 meg Ohms Min. @ 500 VDC  
(Between Frame and Terminal)  
DIELECTRIC STRENGTH : 5 mA Max. at 500 VAC 60 Hz  
for 1 minute  
(Between Frame and Terminal)  
WEIGHT : 100g (3.53 oz.)



### AIR PERFORMANCE



### SPECIFICATION

MODEL NO.	RATED VOLTAGE (V)	OPERATING VOLTAGE (V)	RATED CURRENT (A)	INPUT POWER (W)	SPEED (RPM)	MAX. AIR PRESSURE		AIR FLOW		NOISE dB(A) @ 1M
						mmH <sub>2</sub> O	InchH <sub>2</sub> O	CFM	m <sup>3</sup> /min	
D8025V12H	12	10.2 - 13.8	0.20	2.40	3000	4.40	0.17	40	1.13	35
D8025V12M	12	10.2 - 13.8	0.16	1.92	2800	3	0.12	33	0.93	32
D8025V12L	12	10.2 - 13.8	0.12	1.44	2100	2.45	0.10	27.80	0.79	25
D8025V24H	24	20.4 - 27.6	0.13	3.12	3000	3.23	0.13	37.49	1.06	35
D8025V24M	24	20.4 - 27.6	0.11	2.64	2800	3	0.12	33	0.93	32
D8025V24L	24	20.4 - 27.6	0.09	2.16	2100	2.45	0.10	27.80	0.79	25