

DB12032 Series

120X120X32mm(4.69"X4.69"X1.26")



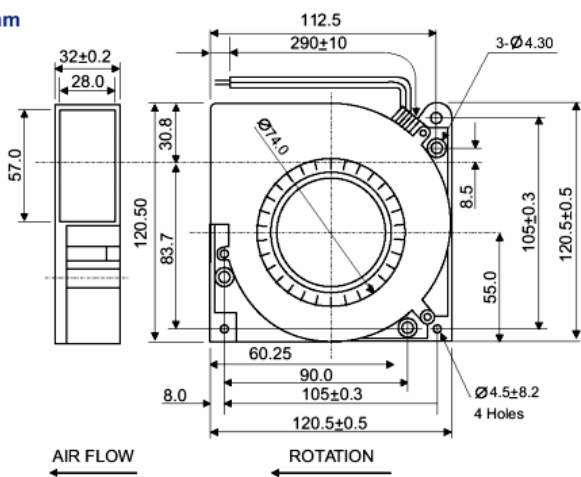
HOUSING	Thermoplastic PBT, UL94V-0
IMPELLER	Thermoplastic PBT, UL94V-0
BEARING	Sleeve or Ball
OPERATING TEMPERATURE	Sleeve Bearing:-10 °C to +70 °C Ball Bearing:-30 °C to +75 °C
INSULATION RESISTANCE	10 meg Ohms Min. @500 VDC (Between Frame and Terminal)
DIELECTRIC STRENGTH	5 mA Max. at 500 VAC 60Hz for 1 minute (Between Frame and Terminal)
WEIGHT	278g
ROHS COMPLIANCE	Yes

SPECIFICATION

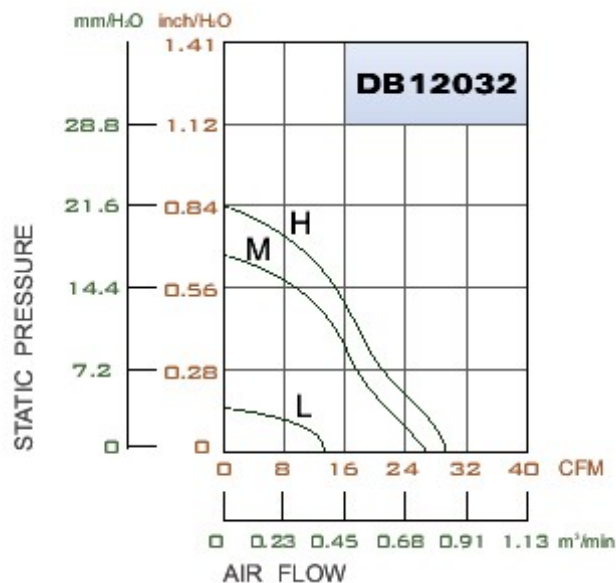
MODEL NO.	RATED VOLTAGE (V)	RATED CURRENT (A)	INPUT POWER (W)	SPEED (RPM)	MAX. AIR PRESSURE		Maximum Air Flow		NOISE dB(A) @1M
					inchH ₂ O	mmH ₂ O	CFM	m ³ /min	
DB12032V12H	12	0.65	7.80	2500	0.48	16.26	25.20	0.713	51.1
DB1032V12M	12	0.60	7.20	2300	0.62	15.77	23.70	0.671	51.0
DB12032V12L	12	0.15	1.80	1200	0.11	2.77	12.00	0.340	34.3
DB12032V24H	24	0.43	10.32	2500	0.64	16.26	25.20	0.713	51.1
DB12032V24M	24	0.40	9.60	2300	0.62	15.77	23.70	0.671	51.0
DB12032V24L	24	0.13	3.12	1200	0.11	2.77	12.00	0.340	34.3

DIMENSION

Unit:mm



AIR PERFORMANCE



ACTIVA INC.

9F-1, 472, Chung San 2nd Road, Kaohsiung 800, Taiwan, R.O.C.
 TEL:886-7-2824356 FAX:886-7-2414287
 Website:www.activa.com.tw Email:symbang@seed.net.tw