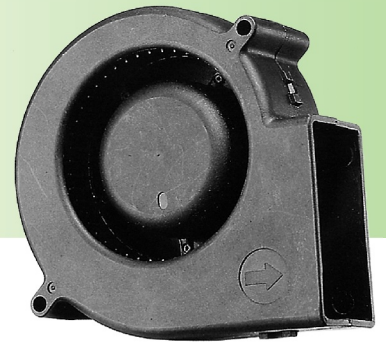


SYM BANG

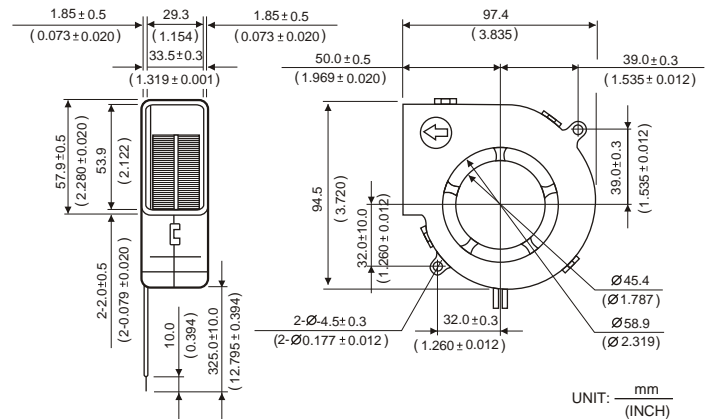
DB9733 Series

Size: 97x94x33mm (3.81"x3.70"x1.29")



DIMENSION

Unit:mm (inch)



HOUSING : Thermoplastic PBT, UL94V-0

IMPELLER : Thermoplastic PBT, UL94V-0

BEARING : Ball

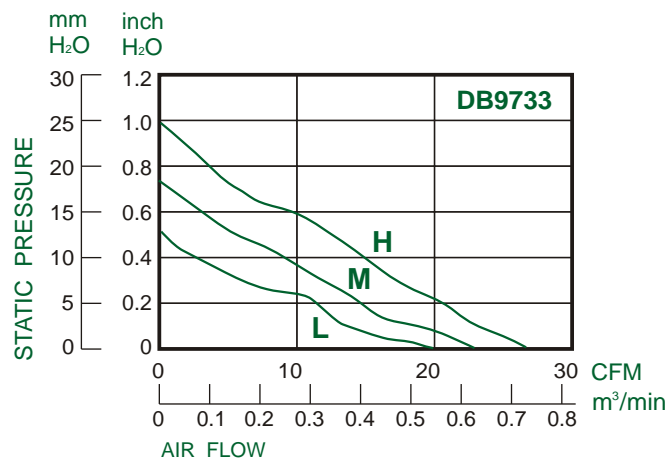
OPERATING TEMPERATURE : -35°C to + 75°C

INSULATION RESISTANCE : 10 meg Ohms Min. @ 500 VDC
(Between Frame and Terminal)

DIELECTRIC STRENGTH : 5 mA Max. at 500 VAC 60 Hz
(Between Frame and Terminal)

WEIGHT : 165g (5.3 oz.)

AIR PERFORMANCE



SPECIFICATION

MODEL NO.	RATED VOLTAGE (V)	OPERATING VOLTAGE (V)	RATED CURRENT (A)	INPUT POWER (W)	SPEED (RPM)	MAX. AIR PRESSURE		AIR FLOW		NOISE dB(A) @ 1M
						mmH ₂ O	InchH ₂ O	CFM	m ³ /min	
DB9733V12H	12	10.2 - 13.8	0.86	10.32	3600	25.4	1.00	26	0.74	51
DB9733V12M	12	10.2 - 13.8	0.64	7.68	3200	19.05	0.75	23	0.65	48
DB9733V12L	12	10.2 - 13.8	0.48	5.76	2600	13.20	0.52	19	0.54	44
DB9733V24H	24	20.4 - 27.6	0.60	14.40	3600	25.4	1.00	26	0.74	51
DB9733V24M	24	20.4 - 27.6	0.40	9.60	3200	19.05	0.75	23	0.65	48
DB9733V24L	24	20.4 - 27.6	0.15	3.60	2600	13.20	0.52	19	0.54	44