



Millennium International Technology Co., Ltd.

2F-5, No.288, Young-Gi Rd., Taiwan, R.O.C

TEL: :886-02-7718-0709 FAX:886-02-7718-0709

Web site: <http://www.mtechco.com> E-mail: [sales@mtechco.com](mailto:sales@mtechco.com)

# APPROVAL SHEET

CUSTOMER : **Sunny Supplying Co., Ltd.**

DESCRIPTION : \_\_\_\_\_

CUSTOMER'S PART NO. : \_\_\_\_\_

SPEC LIN MODEL NO. : S60-240200-WH01(GP)

DATE : 2006.09.15

APPROVED		SIGNATURES



MODEL NO : S60-240200-WH01  
DOCUMENT NO : S60-240200-WH01(GP)

REV: A1版  
DATE: 2006.09.15

1. Input :

1-1 AC input voltage: 100~ 240Vac  $\pm$  10% full range.

1-2 AC input frequency: 47-63Hz

1-3 AC input current: 2.0A (MAX.).

2. Output :

OUTPUT VOLTAGE	LOAD			TOLERANCE	RIPPLE & NOISE	REGULATION	
	MIN.	MAX.	PEAK			LINE	LOAD
24VDC	0	2A	*	22.8~25.2VDC	180mV MAX	$\pm$ 2%	$\pm$ 5%

\* Ripple & noise is measured at 115Vac.

3. Overall performance :

3-1 Efficiency :70% MIN.

3-2 Switching frequencies : 60KHz nominal.

3-3 Temperature coefficient :  $\pm$  0.05% per C.

4. Protection type :

4-1 Short circuit protection : automatic recovery.

5. Hold up time :

5-1 12ms after loss of nominal AC input under full load condition.

6. Reliability :

6-1 Operating temperature : 0 $^{\circ}$ C to 40 $^{\circ}$ C

6-2 Cooling : air convection.

6-3 Humidity : 20% to 90% RH.

6-4 Storage temperature : -20 $^{\circ}$ C to 80 $^{\circ}$ C

6-5 Storage humidity : 20% to 90% RH.

6-6 Mean time between failure :

20K hrs minimum at full load for an ambient 25 $^{\circ}$ C temperature.

Approved by :

Check by:

Lister by:



Millennium International Technology Co., Ltd.

2F-5, No.288, Young-Gi Rd., Taiwan, R.O.C

TEL: 886-02-7718-0709 FAX: 886-02-7718-0709

Web site: <http://www.mtechco.com> E-mail: [sales@mtechco.com](mailto:sales@mtechco.com)

MODEL NO. : S60-240200-WH01  
DOCUMENT NO. : S60-240200-WH01(GP)

REV: A1版  
DATE: 2006.09.15

7. Dielectric withstand (Hi-pot) test :

- 7-1 Primary to Frame Ground : 3750Vac 10mA 2 Sec.
- 7-2 Primary to Secondary : 3750Vac 10mA 2 Sec.
- 7-3 Transformer Primary to Secondary : 3750Vac 10mA 1 Minute.

8. Safety standards : meets of

- 8-1 UL 60950
- 8-2 TUV-GS EN60950
- 8-3 FCC PART CLASSB.
- 8-4 BS EN60950
- 8-5 CCC B190406
- 8-6 SAA Q04689
- 8-7 BSMI R33829

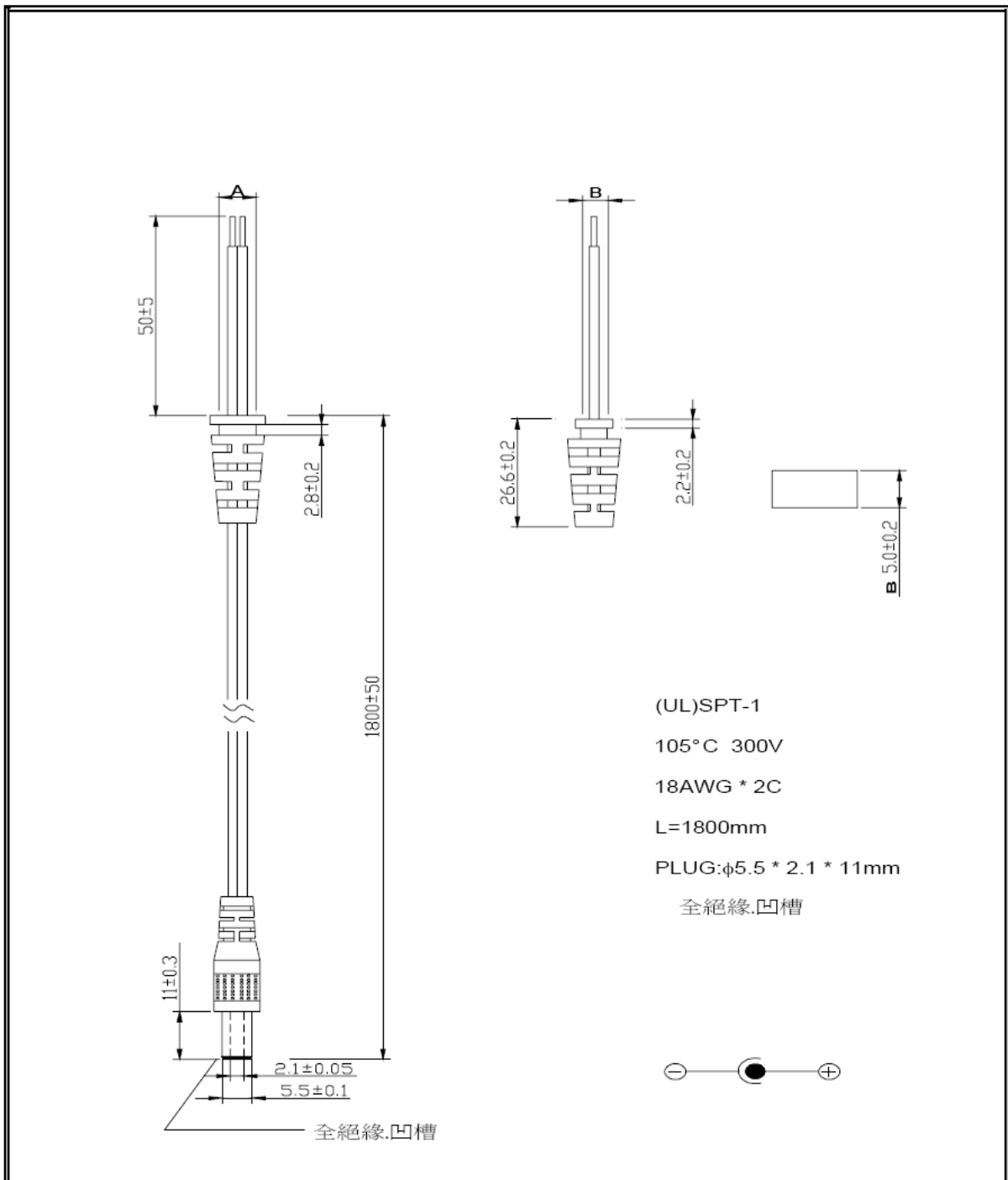
9. Output measurement condition :

- 9-1 Note : Each output can provide up to peak load for temporary.  
Continuous staying in more than max. LOAD will reduce the reliability.
- 9-2 Nominal Voltages measured with all outputs set at 60% max. load and main output is adjusted to  $\pm 1\%$ .
- 9-3 Line regulation range is defined from low line to high line at max. LOAD.
- 9-4 Load regulation range is defined by  $\pm 40\%$  load change from max. LOAD, and keep all other outputs at 60% max. LOAD.
- 9-5 Ripple & noise is measured at max. LOAD with a 15MHz bandwidth limited scope and 4.7uF cap. Parallel with load.
- 9-6 Efficiency is measured at max. LOAD.
- 9-7 Hold Up Time is measured from the end of the last charging pulse to when the main output drop down to specification low limit.



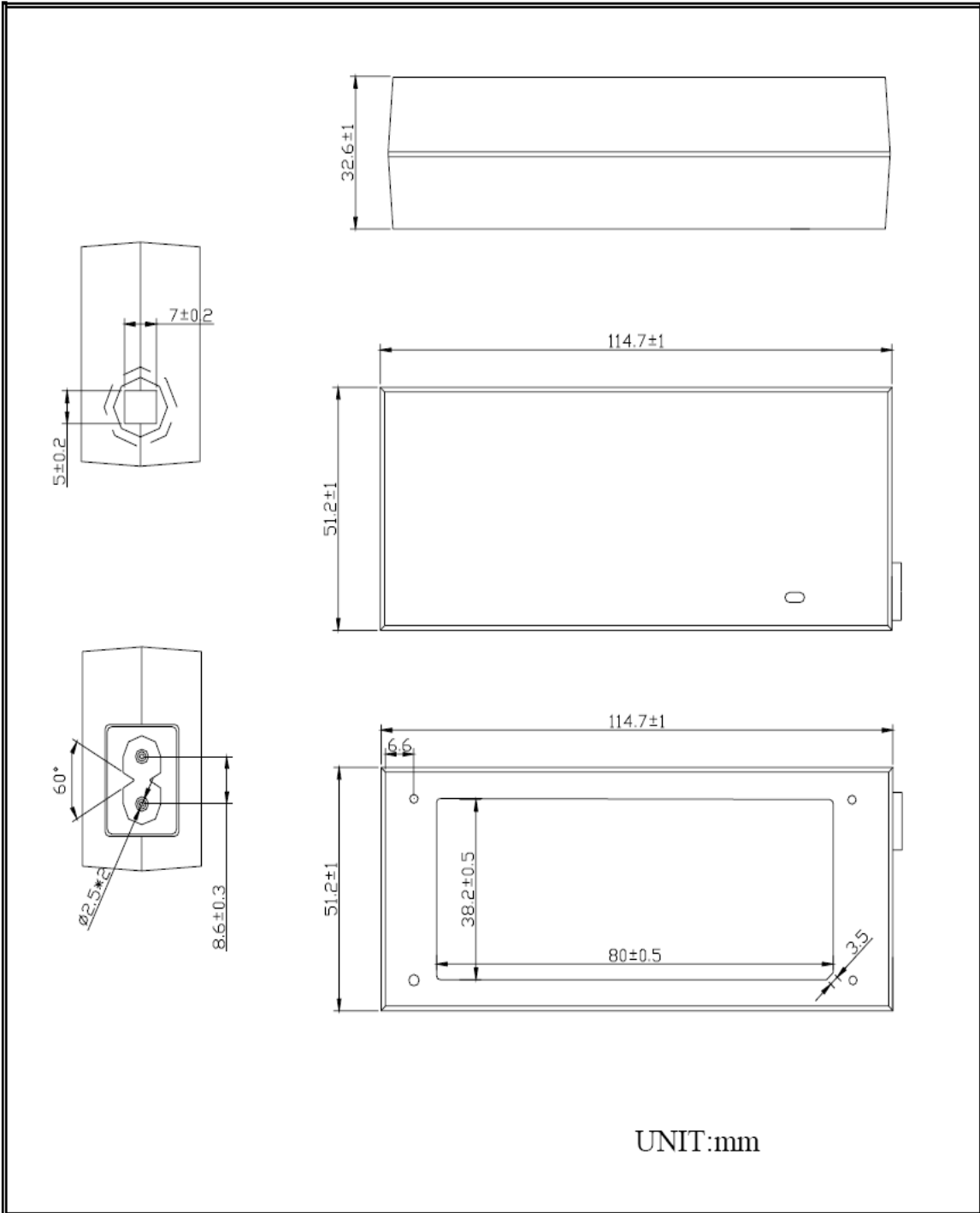
MODEL NO.: S60-240200-WH01  
 DOCUMENT NO.: S60-240200-WH01(GP)

REV: A1版  
 DATE: 2006.09.15



MODEL NO. : S60-240200-WH01  
 DOCUMENT NO : S60-240200-WH01(GP)

REV: A1版  
 DATE: 2006.09.15

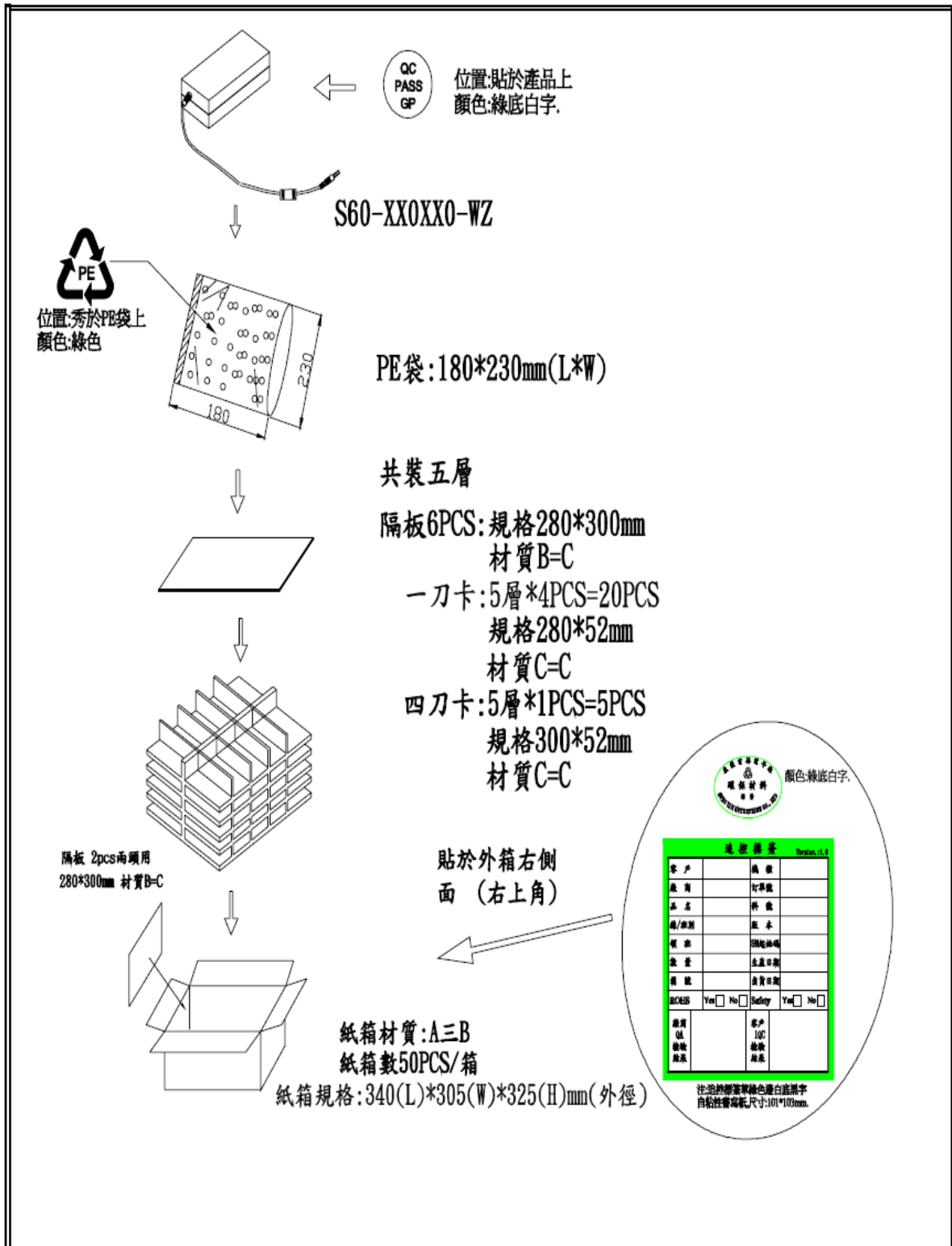


MODEL NO. : S60-240200-WH01

REV: A1版

DOCUMENT NO : S60-240200-WH01(GP)

DATE: 2006.09.15





Millennium International  
Technology Co., Ltd

Millennium International Technology Co., Ltd.

2F-5, No.288, Young-Gi Rd., Taiwan, R.O.C

TEL: :886-02-7718-0709 FAX:886-02-7718-0709

Web site: <http://www.mtechco.com> E-mail: [sales@mtechco.com](mailto:sales@mtechco.com)

Zertifikat

Certificate



Zertifikat Nr. Certificate No.  
S 50040579

Blatt Page  
0001

Ihr Zeichen Client Reference  
R420908/Sporton

Unser Zeichen Our Reference  
ZTW1-SSY- 10009424 001

Ausstellungsdatum  
07.04.2004

Date of Issue  
(day/mo/yr)

Prüfzeichen Test Mark

Geprüft nach Tested acc. to  
EN 60950:2000



Zertifiziertes Produkt (Geräteidentifikation)  
Certified Product (Product Identification)

Lizenzentgelte - Einheit  
License Fee - Unit

Schaltnetzteil (Switching Adaptor)

Bezeichnung (Type Designation)	: S60-XXXYYY-WZ (SPEC LIN)	10
XXX steht für (stands for)	: 090 bis (to) 320	1
YYY steht für (stands for)	: 125 bis (to) 500	1
Z steht für (stands for)	: H01 bis (to) H99	1
Nennspannung (Rated Voltage)	: AC 100-240V, 47-63Hz	
Nennstrom (Rated Current)	: 2A MAX.	
Ausgänge (Outputs)	: siehe Aufbau-Übersicht (see constructional dataform)	
max. Umgebungstemperatur (max. Ambient Temperature)	: 40°C	
Schutzklasse (Protection Class)	: II	



13

ANLAGE (Appendix): 1

Dem Zertifikat liegt unsere Prüf- und Zertifizierungsordnung zugrunde. Das Zertifikat ist max. 5 Jahre gültig, gerechnet jeweils vom Ausstellungsdatum des letzten Blattes. Produkt und Fertigungsstätte erfüllen Par. 3 Abs. 1 und 4 des Gerätesicherheitsgesetzes.  
This certificate is based on our Testing and Certification Regulation.  
The certificate is valid for max. 5 years after the date of issue of the latest page.  
Product and production fulfill par. 3 Art. 1 and 4 of the German Safety Law.

Zertifizierungsstelle

TÜV Rheinland Product Safety GmbH, Am Grauen Stein, D-51105 Köln  
Zugelassene Stelle nach Par. 9 Abs. 2 GSG, Registered Authority acc. par. 9 Art. 2 GSG

Dipl.-Ing. A. Klinker

Tel.:(+49/221)8 06 - 13 71 Fax:(+49/221)8 06 - 39 35 e-mail: [Althoff@de.tuv.com](mailto:Althoff@de.tuv.com)



# Certificate



Group Asia

Certificate no.

TA 50040588 01

Test report no.: ZTWL-SSY 10009425 001 Client Reference: R420908/Sporton

Tested to:  
BS EN 60950:2000

Certified Product: (Switching Adaptor) License Fee - Units

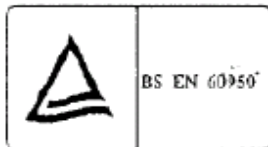
Type Designation	: S60-XXXYYY-WZ (SPEC LIN)	10
XXX stands for	: 090 to 320	1
YYY stands for	: 125 to 500	1
Z stands for	: H01 to H99	1
Rated Voltage	: AC 100-240V, 47-63HZ	
Rated Current	: 2A MAX.	
Outputs	: see constructional dataform	
max. Ambient Temperature	: 40°C	
Protection Class	: II	

Appendix: 1



13

Licensed Test mark:



TÜV Rheinland Taiwan Ltd.

Signatures

Date of Issue

(day/mo/yr)

07/04/2004

*R. Scheller*  
Dipl.-Ing. R. Scheller

*A. Klinker*  
Dipl.-Ing. A. Klinker



**Queensland Government**  
Department of **Industrial Relations**

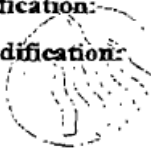
Electrical Safety Act 2002

**Attachment to Certificate of Approval  
for Electrical Equipment**

**Approval Number:** Q04689  
**Modification to:** ELVPSU  
Switching Adaptor

**Date of Modification:** 05 May 2004

**Details of Modification:**



**Queensland Government**  
Department of **Industrial Relations**

**Additional Models**

S60-XXXXYY-WZL SERIES

**Description**

Similar to S60-XXXXYY-WZ SERIES except for meets limited power source requirement of CL2.5 AS/NZS 60950:2000.

  
**Director - Equipment Safety**  
Electrical Safety Office  
615 12004



**Queensland Government**  
Department of **Industrial Relations**



**Queensland Government**  
Department of **Industrial Relations**

Electrical Safety Office  
Department of Industrial Relations  
LMB 2234  
Brisbane QLD 4001

**Catalogue/Model/Type Number:** S60-XXXXYY-WZ SERIES

**Marking Details:** Input: 100-240Vac 50-65Hz 2A  
Output: 9-32Vdc 1,250-5,000mA



**SPORTON LAB.**



Certificate No: M421103

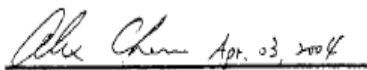
# CERTIFICATE

- EQUIPMENT : AC/DC Adapter
- MODEL NO. : S60-XXXYYY-WZ, S60-XXXYYY-WZL (X, Y=0~9)
- X= Output Voltage (V), Y= Output Current (A),
- W:(100-240V±10%), 47~63Hz
- Z=H01~H99 – Inlet 2Pin



**CERTIFY THAT:**

THE MEASUREMENTS SHOWN IN THIS TEST REPORT WERE MADE IN ACCORDANCE WITH THE PROCEDURES GIVEN IN AS/NZS CISPR 22:2002. THE EQUIPMENT WAS PASSED THE TEST PERFORMED ACCORDING TO AS/NZS CISPR 22:2002 Class B. THE TESTING WAS COMPLETED ON Feb. 12, 2004 AT SPORTON INTERNATIONAL INC. LAB.

  
Alex Chen Apr. 03, 2004

Alex Chen  
Manager



**SPORTON LAB.**

Certificate No: C421103

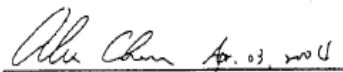
# CERTIFICATE

● **EQUIPMENT: AC/DC Adapter**  
Model No. : S60-XXXXYY-WZ, S60-XXXXYY-WZL (X, Y=0~9)  
X= Output Voltage (V), Y= Output Current (A),  
W:(100-240V±10%), 47~63Hz  
Z=H01~H99 – Inlet 2Pin



**CERTIFY THAT:**

THE MEASUREMENTS SHOWN IN THIS TEST REPORT WERE MADE IN ACCORDANCE WITH THE PROCEDURES GIVEN IN EUROPEAN COUNCIL DIRECTIVE 89/336/EEC. THE EQUIPMENT WAS PASSED THE TEST PERFORMED ACCORDING TO EUROPEAN STANDARD EN 55022:1998/A1:2000 Class B, EN 61000-3-2:2000, EN 61000-3-3:1995/A1:2001 and EN 55024:1998/A1:2001 (IEC 61000-4-2:1995, IEC 61000-4-3:1995, IEC 61000-4-4:1995, IEC 61000-4-5:1995, IEC 61000-4-6:1996, IEC 61000-4-8:1993, IEC 61000-4-11:1994) THE TEST WAS CARRIED OUT ON Feb. 13, 2004 AT SPORTON INTERNATIONAL INC. LAB.



Alex Chen  
Manager



Millennium International Technology Co., Ltd.

2F-5, No.288, Young-Gi Rd., Taiwan, R.O.C

TEL: 886-02-7718-0709 FAX: 886-02-7718-0709

Web site: <http://www.mtechco.com> E-mail: [sales@mtechco.com](mailto:sales@mtechco.com)



## 中国国家强制性产品认证证书

CERTIFICATE FOR CHINA COMPULSORY PRODUCT CERTIFICATION

NUMBER: 2004020907000191

**NAME, MODEL AND SPECIFICATION:** Switching power adapter

S60-XXXXYY-WZ, S60-XXXXYY-WZL (XXX=090-320, YYY=125-500, Z=H  
01-H99) AC 100-240V 47-63Hz 2A

**THE STANDARDS AND TECHNICAL REQUIREMENTS FOR THE PRODUCTS:**

GB4943-2001, GB9254-1998, GB17625.1-2003

**THIS IS TO CERTIFY THAT THE ABOVE MENTIONED PRODUCTS HAVE  
QUALIFIED FOR THE REQUIREMENTS OF IMPLEMENTATION RULES FOR  
COMPULSORY CERTIFICATION**

**VALIDITY FROM:** April 28, 2004

**THE VALIDITY OF THE CERTIFICATE SHALL DEPEND ON THE  
FOLLOW-UP INSPECTION BY THE CERTIFICATION BODY AT  
REGULAR INTERVALS**

**Director:**



**China Certification Center for  
Electromagnetic Compatibility**