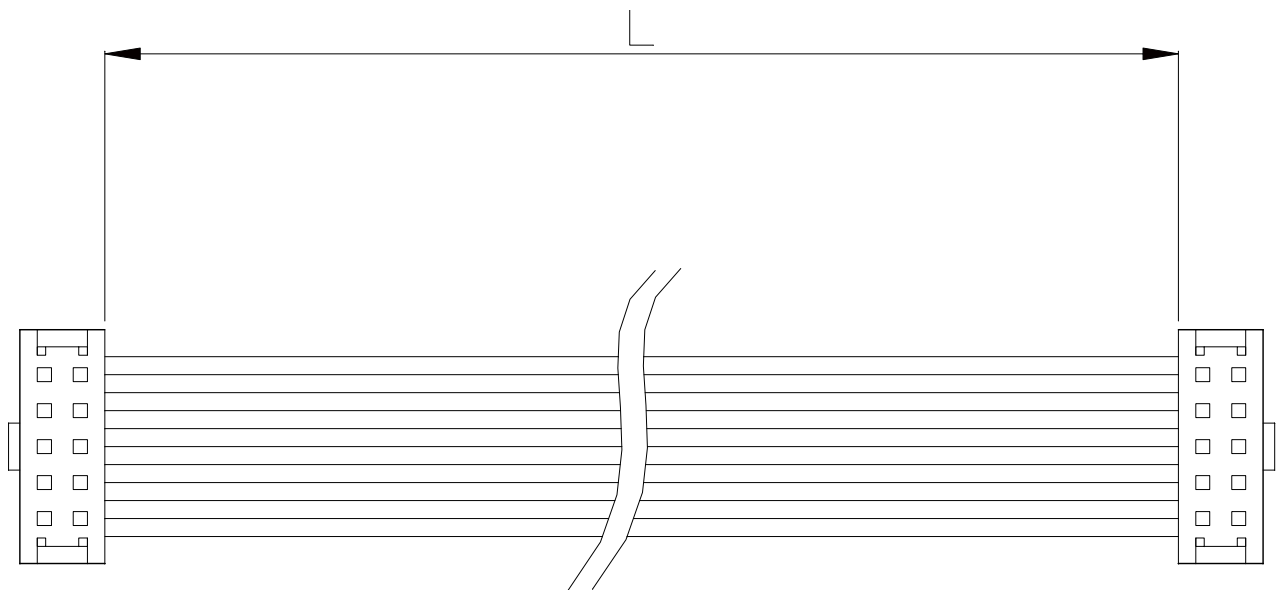




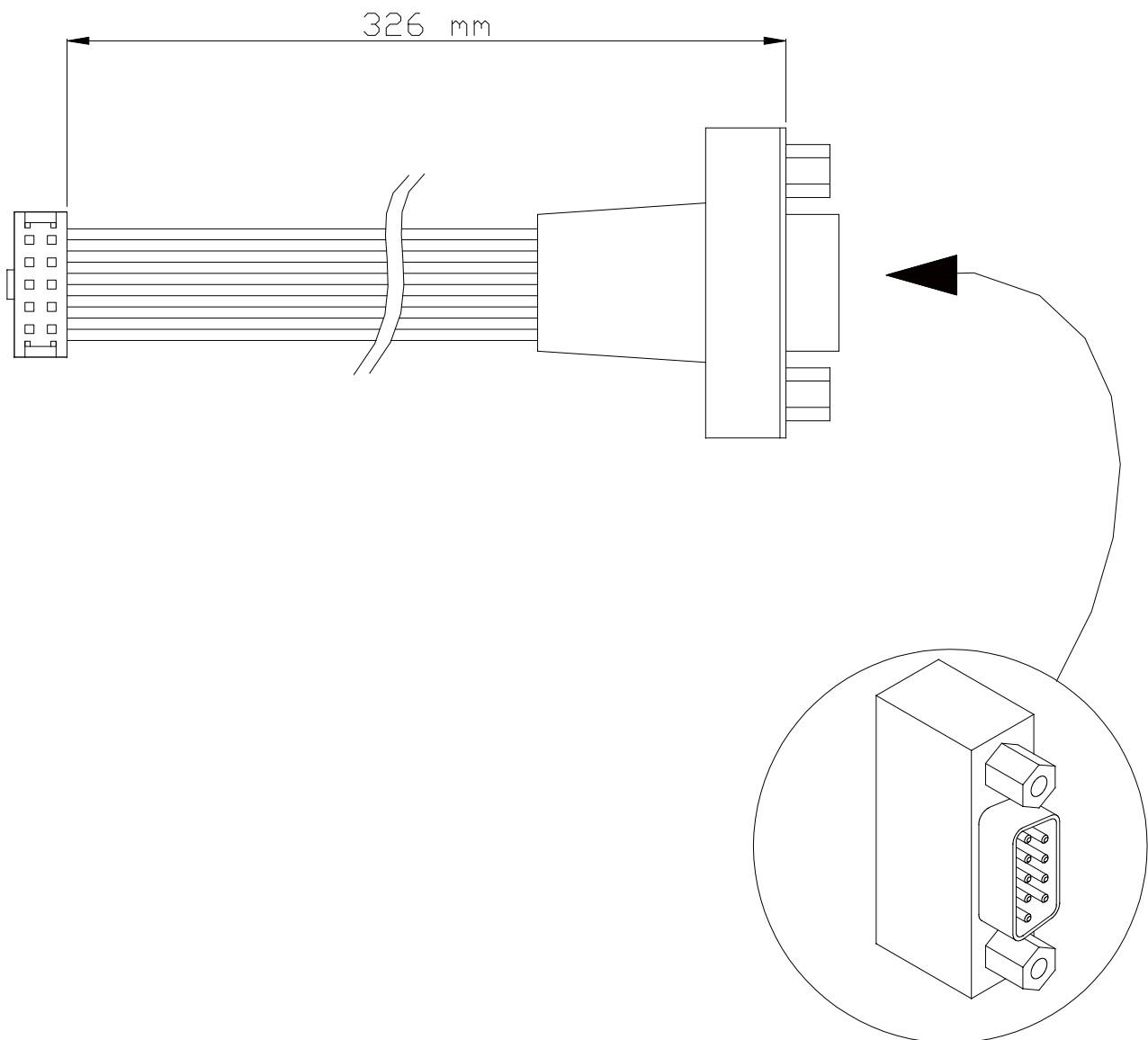
Used for connection the controller TeleServ with PC COM port placed on motherboard.

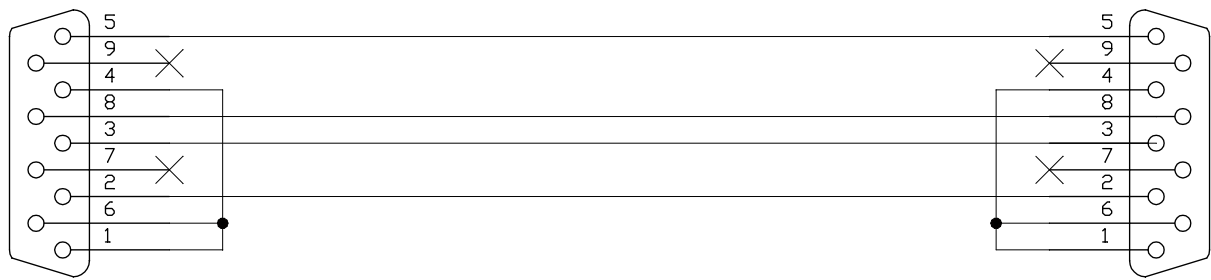
NOTE! This cable should be connected to motherboard only after familiarizing with user manual on motherboard! Pinout of COM port connector on motherboard should be corresponded to connector of H-H-COM cable! Incorrect connection could be cause of damage both the controller TeleServ and motherboard.





Used as outlet connector of COM port of the controller TeleServ.





J1 DB9-F

J2 DB9-F

Used together with H-DB9M-COM cable to make connection of the controller TeleServ with I/O rear COM port the same computer or another computer.

